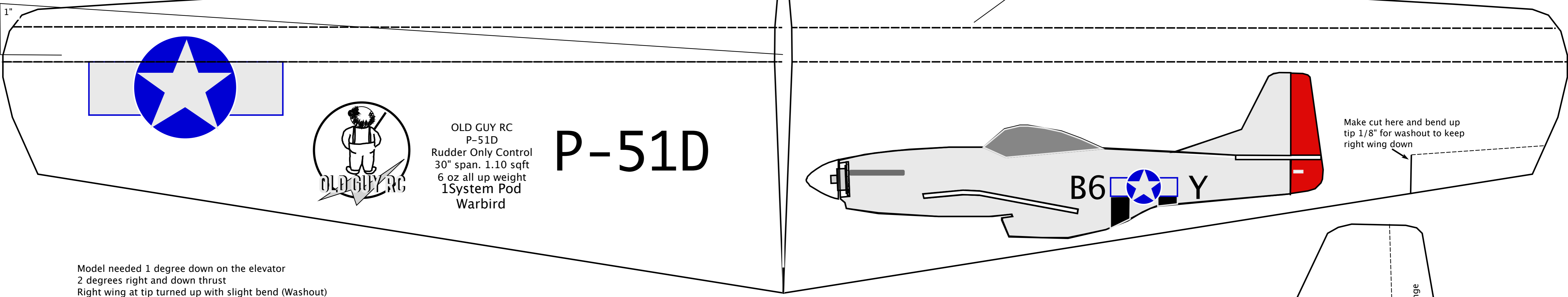
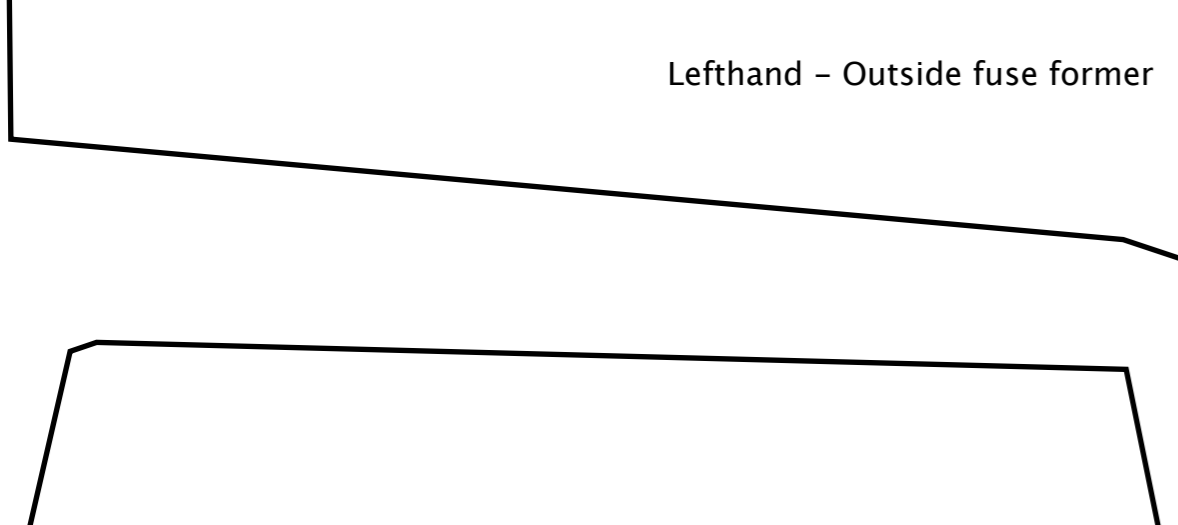
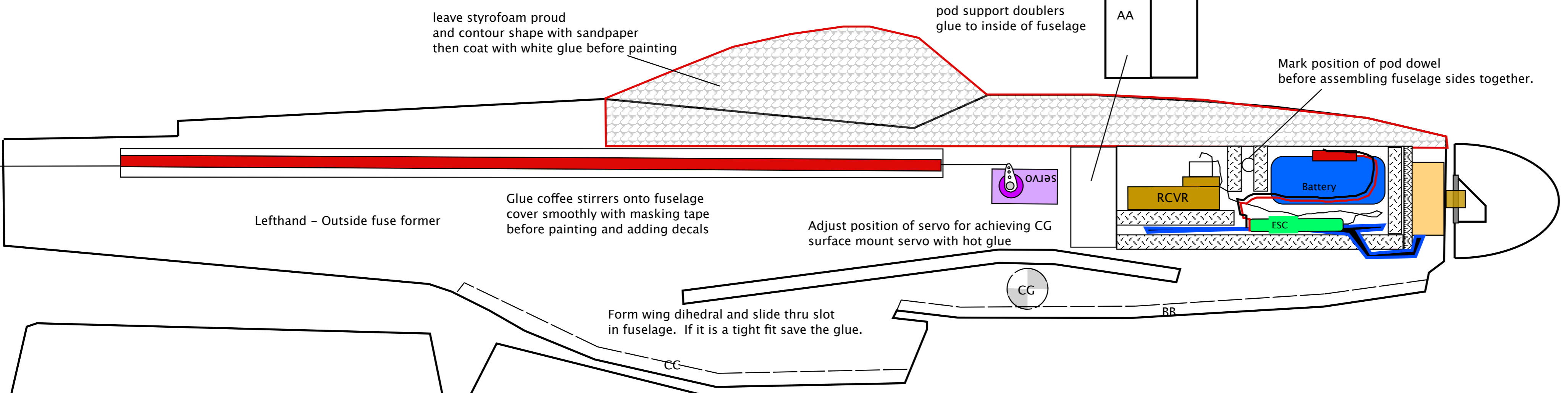
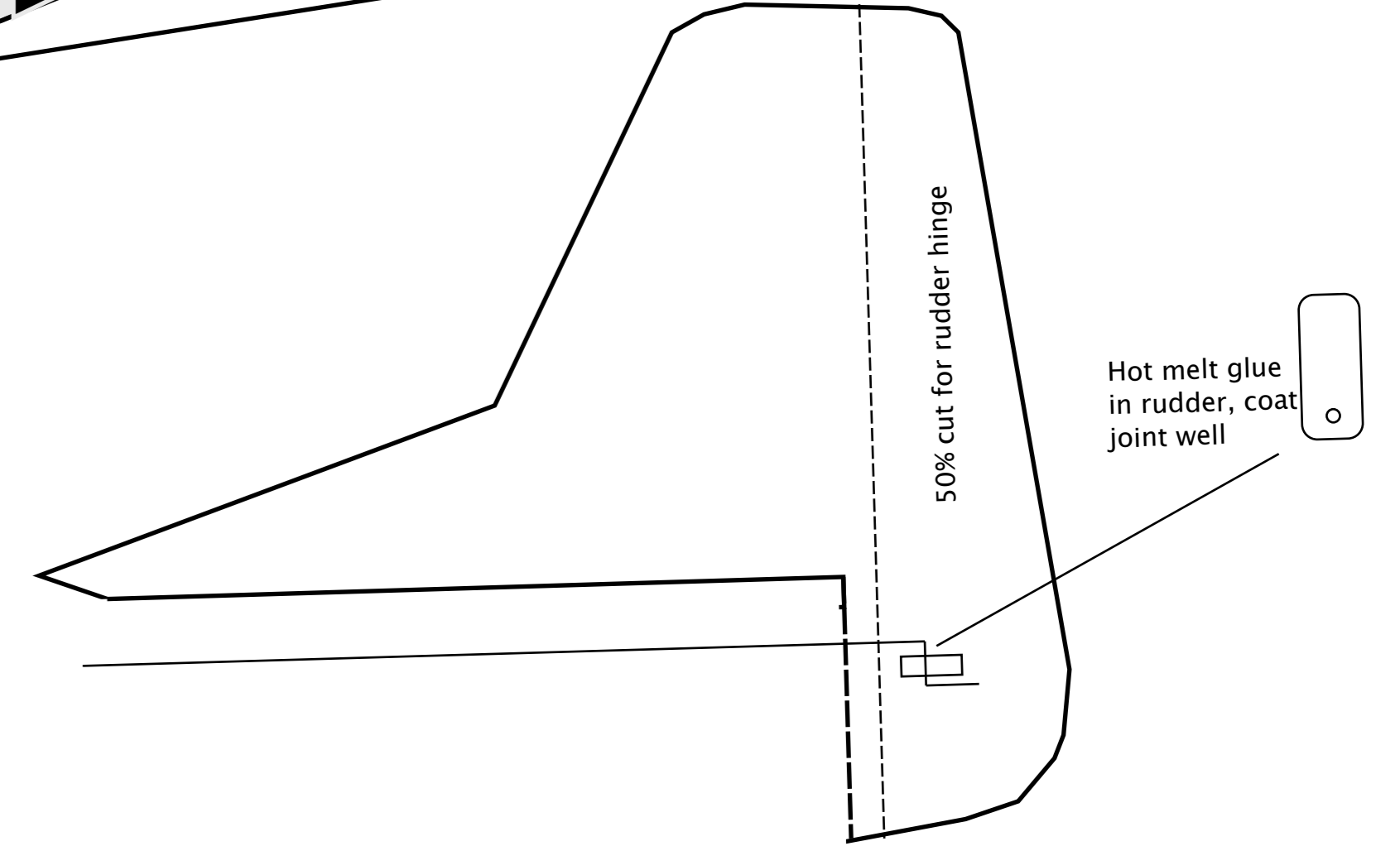
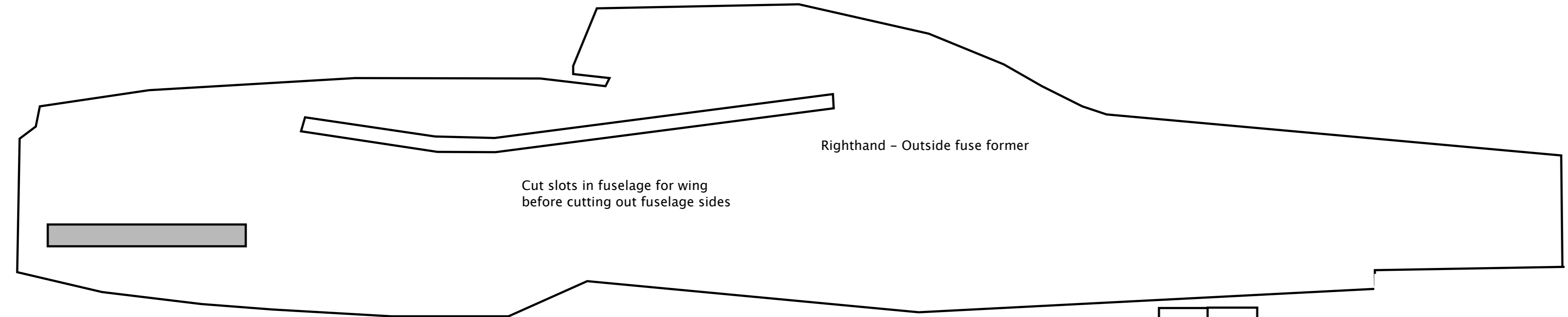


Dihedral - 4 degrees



Model needed 1 degree down on the elevator
2 degrees right and down thrust
Right wing at tip turned up with slight bend (Washout)



Glue coffee stirrers onto fuselage cover smoothly with masking tape before painting and adding decals

Adjust position of servo for achieving CG surface mount servo with hot glue

Form wing dihedral and slide thru slot in fuselage. If it is a tight fit save the glue.

